

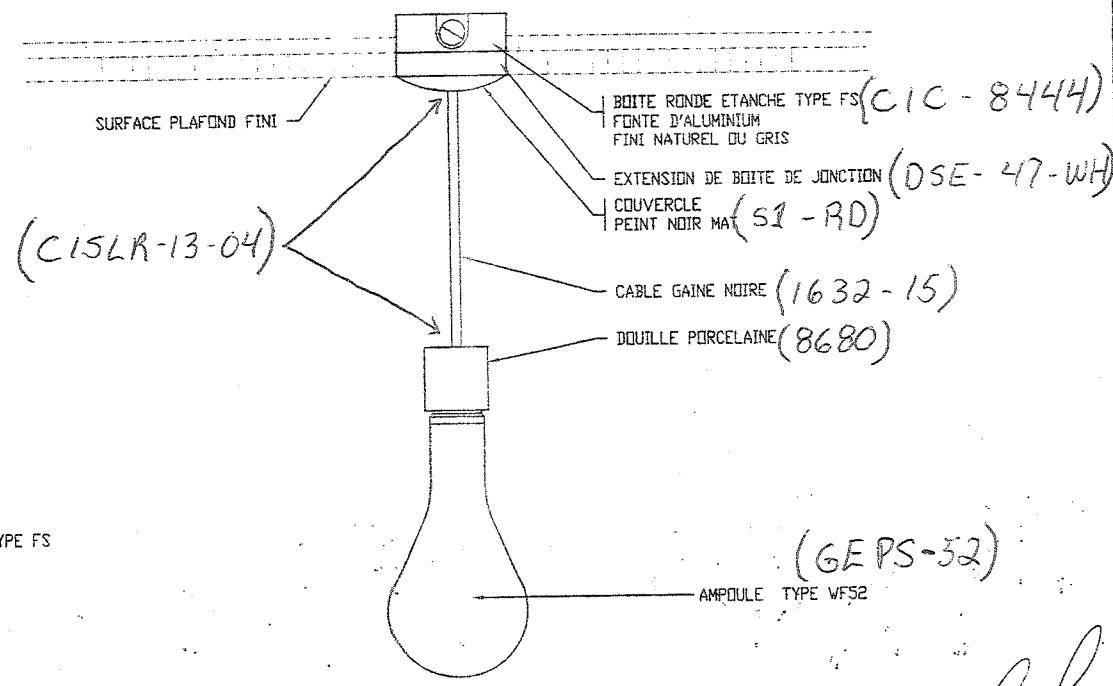
C	2007/09/19	POUR COTE
01	2007/09/19	O.D.C. #01
00	2007/09/19	POUR CONST
NO	DATE	

CLIENT
DOLL

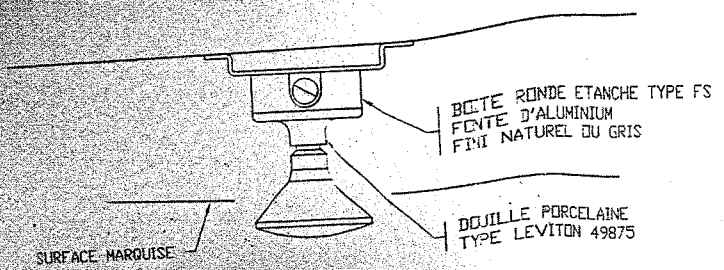
PROJET
SALLE DOL

SUJET
NOUV

CONÇU:	LUC GOBEL	
APPROUVE:	LORAIN LUSSE	
N° PROJET CLIENT:		
HOR.	ECHELLE: 0	
VERT.		
N° PROJET	N° LOT	N° DAO
32364	003	52364



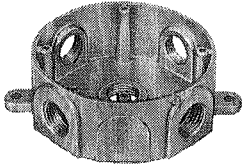
LUMINAIRE TYPE B (HALL)
ECHELLE: AUCUNE



LUMINAIRE TYPE E (T7 (MARQUISE))
ECHELLE: AUCUNE



CIC-8444



redodot^{mt}

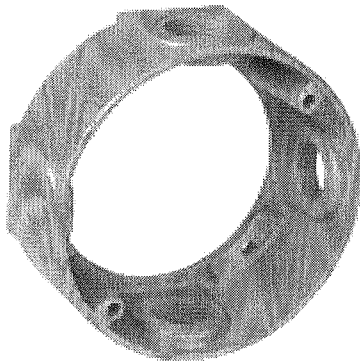
Nécessaire pour boîtes de jonction étanches (fonte d'aluminium). Comprend le couvercle, la garniture, les bouchons d'obturation et les vis de montage.

Général

Type:	Nécessaire pour boîtes de jonction étanches
Application:	Les boîtes et couvercles servent à protéger les dispositifs de câblage, les interrupteurs, les composants électroniques et les borniers en emplacements secs, humides et mouillés. Une enceinte de câblage accessible fournit un endroit pratique pour maintenir ou modifier un système, tirer des conducteurs et effectuer des épissures. Sert de boîte de jonction pour les dérivations de conduits.
Matériau:	Fonte d'aluminium
Fini:	Laque d'aluminium
Nombre de bouchons:	4 x 1/2
Nombre de pattes:	2
T&B UPC:	62253881444
T&B Status:	M

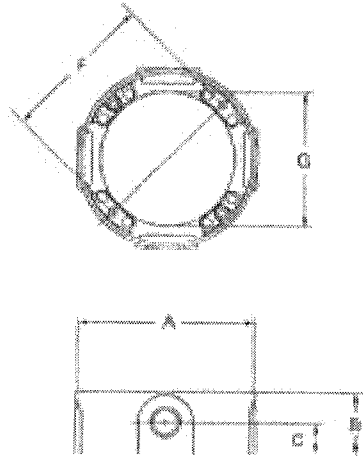
Dimensions

Grosueur de manchon côtés	4 x 1/2
(po):	
Grosueur de manchon fond	1/2
(po):	
Dimension A (po):	1 5/8
Dimension B (po):	3 15/16
Dimension C (po):	5
Dimension D (po):	4 5/16



Red-Dot®

T&B Catalog Number: DSE-47-WH
UPC Number: 04226900411
Description: Dry-tite® White Round Outlet Box Extension with 4 outlets, 4 closure plugs, gasket and screws, material-Die Cast Aluminum, diameter-4 1/8" and hub size-1/2".
Status: Active



Features

- Precision cast and machined surfaces permit safer wire pulling.
- Clean cover edges provide good gasket sealing.
- Clear UL and cubic content markings speed approval by inspectors.
- Deep slotted stainless steel cover screws for faster installations.

General

Material: Die Cast Aluminum
Finish: Aluminum lacquer
Color: White
Volume (cu.in.): 18.3

Dimension Information

Diameter (inches): 4 1/8
Hub Size (inches): 1/2

Packaging

T&B Inner Pack: 1
Package in Units: 5
T&B Sold in UOM: Each
T&B Weight Per UOM: 56 lbs. per 100

Application Support

Product Overview: Available on Website

Notes

***Note:** Raintight when used with appropriate Red Dot® covers.

Certifications

RoHS Compliance: Yes

Certifications



File Nbr:
E 28688

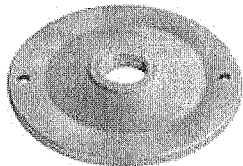
For further technical assistance, please contact us...

Thomas & Betts - USA
 8155 T&B Blvd.
 Memphis, TN 38125
 www.tnb.com

T&B Technical Support
 MS 3B-50
 8155 T&B Blvd.
 Memphis, TN 38125

Hours: 7AM - 6PM CDT
 Monday-Friday
 Phone: (888) 862-3289
 Fax: (901) 252-1321
 Email:techsupport@tnb.com

S1-RD



redodot

Couvercle de sortie, diamètre de 4 1/8 po.
Grosneur de manchon 1/2 po. 1 manchon.

Général

Type:

Couvercle de sortie - Dia. 4-1/8 po.

Application:

Les boîtes et couvercles servent à protéger les dispositifs de câblage, les interrupteurs, les composants électroniques et les borniers en emplacements secs, humides et mouillés. Une enceinte de câblage accessible fournit un endroit pratique pour maintenir ou modifier un système, tirer des conducteurs et effectuer des épissures. Sert de boîte de jonction pour les dérivations de conduits.

Matériau:

Fonte d'aluminium

Fini:

Noir mat

Nombre de manchons:

1

T&B UPC:

04226971801

T&B Status:

M

Dimensions

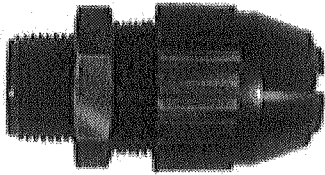
Diamètre (po):

4 1/8

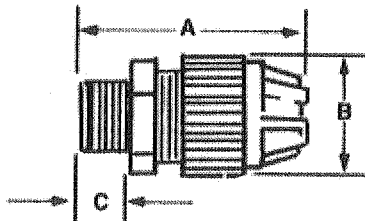
Grosneur de manchon (po):

1/2

T&B Fittings



T&B Catalog Number: 2672
UPC Number: 78621002672
Description: 1/2" Black Beauty; Liquidtight Cord Connector-Straight; Body and Gland material-Weather Stabilized Nylon; Bushing-Neoprene. Cord range-.250-.400
Status: Active



Features

- Hand tightens-no tools needed for assembly.
- Segmented chuck provides high mechanical pullout performance-will not cut or damage cord jacket.
- Corrosion and weather resistant plastic is excellent for outdoor/indoor use.

Application

A liquidtight connector to connect flexible cord to a box or enclosure and provide adequate strain relief.

General

Trade Size (inches) 6
 Material Nylon

Dimension Information

Hub Size (inches) 1/2
 Dimension A (inches) 2.6
 Dimension B (inches) 1.27
 Dimension C (inches) 0.60
 Cord Range (inches) .250-.400
 Throat Diameter (inches) 0.55

Packaging

Package in Units 100
 T&B Sold in UOM Each
 T&B Weight Per UOM 6.8 lbs. per 100

Application Support

T&B Instruction Sheets ta01320-tb2
 Product Overview Available on Website
 Liquidtight Flexible Cord and Cable Connectors-Application and Features Available on Website
 Rigid/IMC Conduit Fittings Overview & Specification Available on Website
 Portable Cord Selection Table Available on Website

Notes

*Note Suitable for use in hazardous locations where general purpose equipment is specifically permitted by NEC. Class I, Div 2; Class II, Div 1 & 2; Class III, Div 1 & 2; NEC 501-4(b), 502-4(a)(b), 503-3(a)(b)
 **Note Meets Coast Guard CG293
 ***Note Temperature rating-34#176; C 105#176; C

Certifications

RoHS Compliance Yes

*Pour type B
 (Tel que demandé.)*

Carolprene® Jacketed Type SOOW⁽¹⁾

90°C 600 Volt Portable Cord

Product Construction:

Conductors:

- 8 through 2 AWG fully annealed stranded bare copper per ASTM B-174

Insulation:

- Premium-grade, color-coded 90°C EPDM
- Color Code: See chart below

Jacket:

- Carolprene®, Black
- Temperature Range: -40°C to +90°C

Jacket Marking:

- CAROL (SIZE) TYPE SOOW 90C P-7K-123033 MSHA MADE IN USA

Applications:

- Portable tools and equipment
- Temporary and portable power
- Motors and associated machinery

Features:

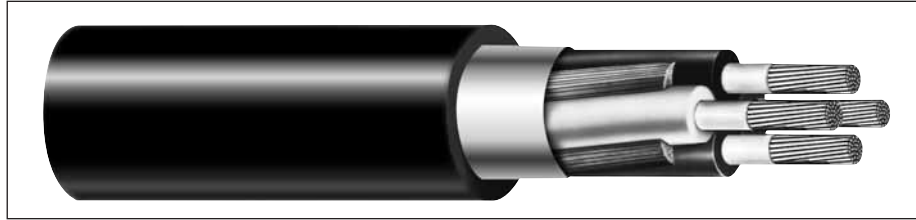
- Excellent resistance to oil and moisture
- Good tensile strength, elongation and aging characteristics
- High flexibility
- Excellent abrasion resistance

Industry Approvals:

- MSHA Approved
- RoHS Compliant

Packaging:

- 250' (76.2 m), 500' (152.4 m), 1000' (304.8 m)
- Other put-ups available on special order



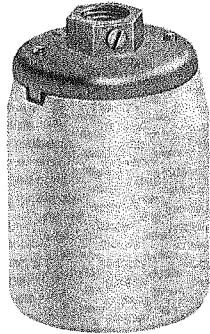
TYPE SOOW – 600 VOLT										
CATALOG NUMBER	NO. OF COND.	AWG SIZE	COND. STRAND	NOM. INS. THICKNESS		NOMINAL. O.D.		CURRENT AMPS†	APPROX. NET WEIGHT LBS/M ⁽⁹⁾	STD. CTN.
				INCHES	mm	INCHES	mm			
01811*	2	8	65/36	0.050	1.27	0.660	16.76	40	290	250'
01812	3	8	65/26	0.050	1.27	0.720	18.29	40	365	250'
01827	4	8	65/26	0.050	1.27	0.780	19.31	35	500	250'
98267	5	8	65/26	0.050	1.27	0.860	21.84	28	545	250'
01825	3	6	101/26	0.050	1.27	0.800	20.32	55	515	250'
01824	4	6	101/26	0.050	1.27	0.845	21.46	45	620	250'
98270	5	6	101/26	0.050	1.27	0.945	24.00	36	750	250'
01823*	2	4	119/25	0.050	1.27	0.890	22.61	70	500	250'
01822	3	4	119/25	0.050	1.27	0.940	23.83	70	670	250'
01821	4	4	119/25	0.050	1.27	1.010	25.65	60	835	250'
98463	5	4	119/25	0.050	1.27	1.135	28.33	48	1065	250'
01819	3	2	133/.0211	0.055	1.40	1.090	27.69	95	1030	250'
01818	4	2	133/.0211	0.055	1.40	1.170	29.72	80	1285	250'
98187	5	2	133/.0211	0.055	1.40	1.435	36.45	64	1620	250'

COLOR CODE CHART

NO. OF CONDUCTORS	COLOR
2	Black, White
3	Black, White, Green
4	Black, White, Red, Green
5	Black, White, Red, Orange, Green

⁽¹⁾ Not UL or CSA, but manufactured to acceptable commercial standards
 * Non-stock item; minimum quantity purchase required.
 † Green conductor for grounding only.
⁽⁹⁾ Actual shipping weight may vary.

PORCELAIN MOGUL LAMPHOLDER



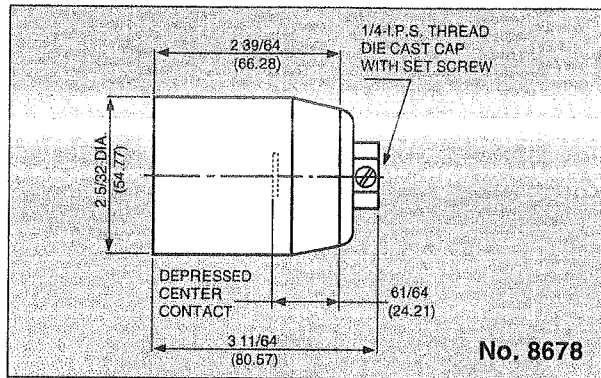
No. 8678

1500W-600V

UL Listed E-13402
CSA Certified LR-1863

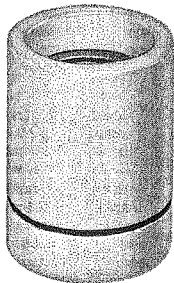
Porcelain body white glazed with wireways. Copper alloy nickel-plated screw shell and stainless steel center contact. Packed assembled with cap and insulator.
Standard pack: bulk

Cat. No.	Description	Cap
8678	Mogul lampholder	1/4 IPS
8679	Mogul lampholder	3/8 IPS
8680	Mogul lampholder	1/2 IPS



No. 8678

PORCELAIN TWO-PIECE

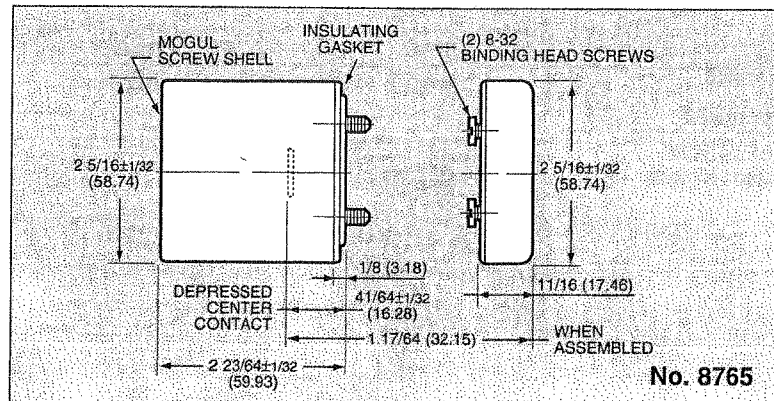


No. 8765

1500W-600V

UL Listed E-13402

Porcelain body white glazed. Copper alloy nickel-plated screw shell and center contact. Spring-supported center contact. Screw terminals. Elongated mounting holes for #8-32 screws on 1 1/2" centers. 3/4" dia. cord hole in cap.
Standard pack: bulk



No. 8765



GE
Lighting

WORLDWIDE PARTNER

Commercial Products & Solutions

[SITE SEARCH](#)

[HOME](#)

[PRODUCTS](#)

[EDUCATION / RESOURCES](#)

[LIGHTING APPLICATIONS](#)

[Where to Buy](#) | [FAQs](#) | [Contact Us](#) | [EliteNet](#)

[Products](#) > [Incandescent](#) > [A-line](#) > [PS52](#) > 22301

22301 – 1000/99

GE PS52 - High Wattage



GENERAL CHARACTERISTICS

Lamp type	Incandescent - A-line
Bulb	PS52
Base	Mogul Screw (E39)
Filament	C-7A
Bulb Finish	Clear
Wattage	1000
Voltage	130
Rated Life	2500 hrs
Bulb Material	Soft glass
Base Material	Brass
Primary Application	High Wattage



Bulb



Base



Filament



[View Larger](#)

PHOTOMETRIC CHARACTERISTICS

Initial Lumens	19800
Nominal Initial Lumens per Watt	19

DIMENSIONS

Maximum Overall Length (MOL)	13.0000 in (330.2 mm)
Bulb Diameter (DIA)	6.500 in (165.1 mm)
Light Center Length (LCL)	9.500 in (241.3 mm)

PRODUCT INFORMATION

Product Code	22301
Description	1000/99
Standard Package	Case
Standard Package GTIN	10043168223017
Standard Package Quantity	12
Sales Unit	Unit
No Of Items Per Sales Unit	1
No Of Items Per Standard Package	12
UPC	043168223010

ADDITIONAL RESOURCES

[Catalogs](#)

[MSDS \(Material Safety Data Sheets\)](#)

[Disposal Policies & Recycling Information](#)

CAUTIONS & WARNINGS