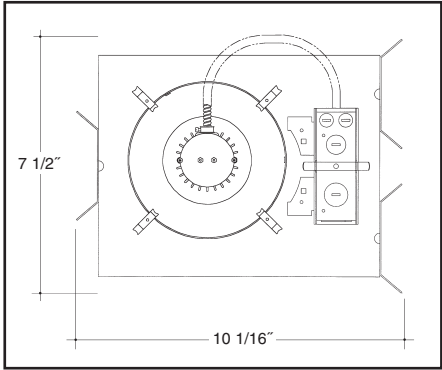
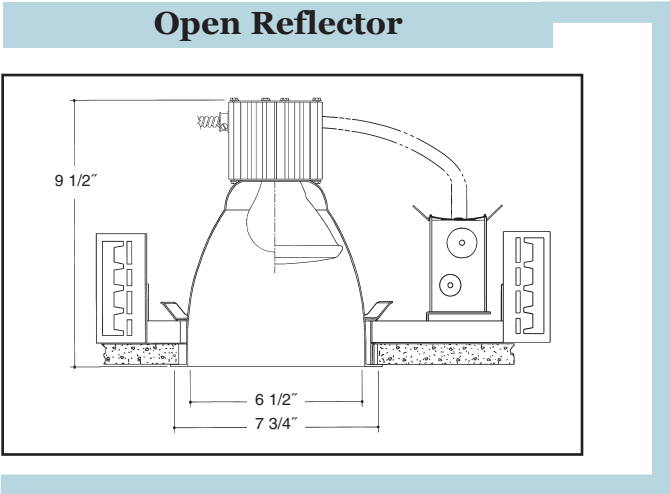


VERTICAL INCANDESCENT OPEN

7"



1 Lamp Frame In Kit

Part #

A7500IN - 150 Watt Max.

Remodeler

A7501IN - 150 Watt Max.

Compatible Lamp Types

50W A19/A21; 75W A19/A21; 75W BR40;
 100W A19/A21/A23; 100W BR40; 150W A21/A23/PS25
 50W Par 16; 75W Par 16; 50W Par 20; 50W Par 30;
 75W Par 30; 120W Par 38

Reflector Kits

Part #	Description
7510CL	- Specular Clear "Alzak"
7510GO	- Specular Gold "Alzak"
7510BL	- Specular Black "Alzak"
7510PT	- Specular Pewter "Alzak"
7510WT	- Specular Wheat "Alzak"
7510WH	- Matte White w/ White Flange

Other Reflector Options see page 2

VOIR TABLEAU POUR TYPE D'AMPOULE À UTILISER SELON CODE C1 OU C2

PRÉVOIR BRIDE DE FINITION MÊME COULEUR QUE RÉFLECTEUR (SAUF INDICATION CONTRAIRE)

INSTALLER D'AFFLEUREMENT AVEC REVÊTEMENT ACOUSTIQUE

Product Information

Aluminum heatsink socket enclosure for heat dissipation.

Thermally protected fixture.

Prewired and grounded electrogalvanized, plated heavy gauge steel junction box.

Listed for through branch circuit wiring with galvanized snap on covers.

Electrogalvanized plated steel frame, spring steel adjustable roto clips for quick Reflector Kit installation.

Universal mounting brackets and hanger bars included will also accept caddy bar# 520, or C channel.

Electrogalvanized plated steel hanger bars included, extendible to 18".

Precision spun heavy aluminum Reflector anodized with standard white self flange.

Insulation must be kept 3" away from fixture. Listed for damp locations.

Listed for wet location under covered ceiling.

Tested and Listed to ETL/UL standard 1598 and CSA standards.



Options

Suffix Specification:

- FS** - Fusing (*Slow blow fuse and holder*)
- 277V** - 277V Transformer
- PF** - Polish Flange
- IF** - Iridescent Free Reflector Finish
- #517** - 27" Steel Hanger Bars

Other Options see page 1