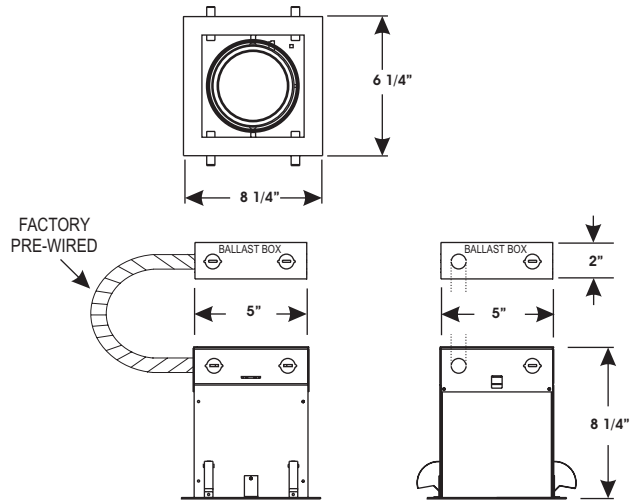
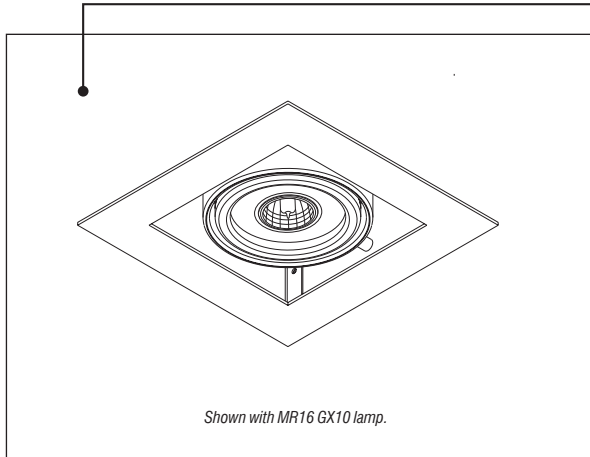


MX1 (MR16 GX10-CMH / PAR20 CDMR-MH LAMPS)



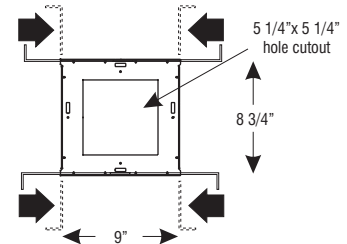
SPECIFICATIONS

The Matrix is an adjustable recessed downlight for a variety of different lamp types. The Metal Halide lamps are powered by a high quality electronic Metal Halide ballast. The electronic ballast is housed in a separate ballast box. Luminaires may be installed in plaster, gypboard or acoustical ceiling tiles. A unique clamping mechanism securely fastens the luminaire into place. Re-lamping does not require removal of luminaires. The lamp sits in a free floating cradle adjustable on a dual axial system. This system allows for full adjustability in 360° horizontal direction and up to 30° vertically. Approved for all ceiling types including air-handling plenums. (Optional Non Electrical baseplate is available. Shipped standard with 16" hanger bars.)

Each lamp is independently adjustable with various lamp type options and wattages, it is also suitable to accept glass lens accessories.

The Matrix is ideally suited for retail applications or any areas where clusters of lamps are required.

- | | |
|------------------|--|
| 120 or 277 Volts | 39W MR16 GX10-CMH Max /Lamp |
| | 39W PAR20 CDMR - MH Max /Lamp |
| 347 Volts | Consult factory for Ballast availability |



BASE PLATE DIMENSIONS

Order Guide

HOUSING	LAMP TYPE	VOLTAGE	FLANGE FINISH ¹	OPTION ²
MX1	39 W MR16 GX10-CMH	120	01 - White	MX1-BP-SM- Baseplate
	39 W PAR20 CDMR-MH	277	04 - Black	
		347 ³	05 - Matte Silver	
			11 - Matte Nickel	
			CC - Custom	

Note:

- 1) Inner box and lamp holders painted matte black. (For alternate color contact factory)
- 2) Non Electrical base plate is available and can be shipped prior to luminaire.
- 3) Consult factory for availability.



TYPE	Project Name
	Order Number

Data and specifications subject to change without notice