

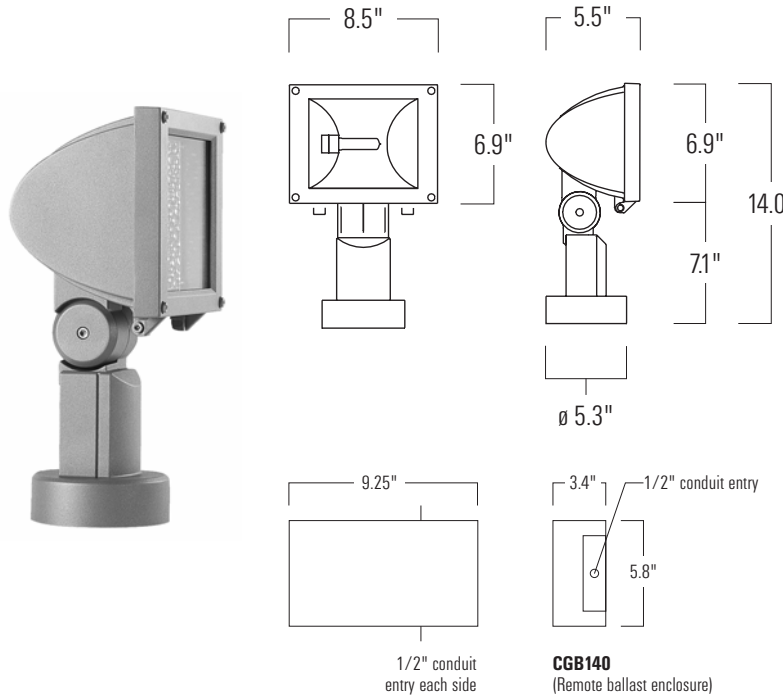
675-2152

Accent floodlight. Ceramic Metal Halide source.
Very narrow bi - symmetric (rectangular) distribution.
Remote mounted electronic MH ballast (included).



Project:

Date:



Fixture Type:
WE-EF Cat. # :
Voltage:
Finish:
Options:

Product ID. No.	Lamp/ base	Lumen
675-2152	CMH150 T6/ G-12 base.	14000

Compact accent floodlight with very narrow bi – symmetric beam distribution for Ceramic Metal Halide lamps. These floodlights feature a wide array of optical accessories to realize the most challenging lighting tasks.

Materials: Luminaire body and lens frame constructed of one-piece die-cast marine grade aluminum alloy.
Clear, thermal shock tempered glass lens.
One piece, moulded rubber gasket.
Internal optical adaptor to hold up to two internal optical accessories.
One piece anodized high purity and chemically brightened aluminum reflector.
PCS coated stainless steel hardware.



Electrical: Remote mounted electronic metal halide ballast for 120 or 277 volt – **Specify Voltage.**
G-12 base porcelain HID lamp holder supplied with 200 degree high temperature leads.
(150 watt CDM T-6 lamp by others).



Mounting: Max. distance is 50 feet – lamp to ballast. CGB140 remote ballast enclosure is included with luminaire.
Designed for mounting over 4” recessed octagon box. Universal mounting canopy for horizontal adjustment. Full range “locking” knuckle for vertical adjustment. Refer to other mounting accessories for mounting options, such as pole clamps, short post, grade mounting stake, or surface junction box.



Finish: Designed and U. L. approved for installation in any directional orientation. Weight: 7.0 lbs.
Standard finish: Black RAL 9004, polyester powder coat with fine texture.
Optional finishes: White RAL 9016, polyester powder coat with fine texture.
Grey Metallic RAL 9007, polyester powder coat with fine texture.



Listing: Consult factory for special RAL color options. Specify finish.

Options: **697-8001:** Fusing (120V/ 277V). Specify.



Refer to optical accessories for internal accessories such as di-chroic color filters, source shield, spread lens or flood lens, and external optical accessories such as glare shields, framing snoots, or wire guards.

Refer to mounting accessories for optional mounting accessories, such as short posts, pole clamps, grade mounting stake, or surface junction box.

Date: 10/15/04