

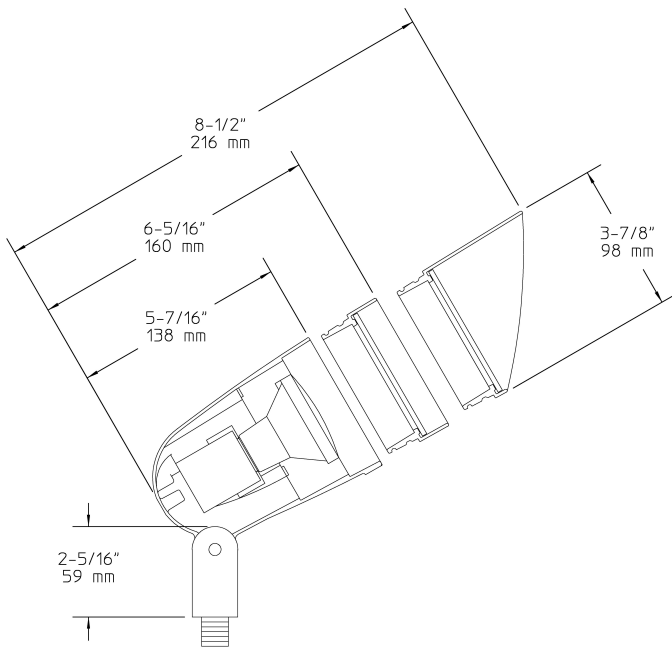
# Bullyte (B1) Specification Sheet

Project Name:	Location:	MFG: Hadco
Fixture Type:	Catalog No.:	Qty:

## Ordering Guide

Example: B1 A

Product Code	B1	Bullyte
Finish	A	Black
	H	Bronze
	G	Verde
	U	Sienna
	T	Speckled Stone



## Specifications

### Housing:

Die-cast aluminum. Fully-adjustable swivel arm with vibration-proof locking teeth. 1/2" NPS male threads to screw on to accessory mounting stake or junction box, sold separately. Gasketing is silicone. Fasteners are 300 series stainless steel. Shroud is optional.

### Finish:

Thermoset polyester powdercoat is electrostatically applied after a five-stage conversion cleaning process and bonded by heat fusion thermosetting. Laboratory tested for superior weatherability and fade resistance in accordance with ASTM B-117-64 and ANSI/ASTM G53-77 specifications.

### Optical Assembly:

Provided with optional shrouds only.

### Lamping:

100W maximum PAR20/R20 medium base lamp. Lamp is not included. Lower wattage lamps are acceptable. (Note: If HID or R lamp is used, accessory shroud must also be used.)

### Electrical Assembly:

4kv rated medium base porcelain socket. Nickel-plated screw shell with center contact. Fixture is pre-wired with 18 AWG black, white, and ground wires.

### Ballast:

Must order inground (IBH/IBM) or above ground (ABH/ABM) ballast housing separately.

### Warranty:

Three-year limited warranty.

### Certification:

UL Listed to U.S. safety standards for wet locations. cUL Listed to Canadian safety standards for wet locations. Manufactured to ISO 9001:2000 Standards.

### Width:

3 7/8" (98mm)

### Length:

8 1/2" (216mm)

### Max. Weight:

1.4 lb.

ISO 9001:2000 Registered

Page 1 of 1

**HADCO**® Note: Hadco reserves the right to modify the above details to reflect changes in the cost of materials and/or production and/or design without prior notice.  
100 Craftway Littlestown, PA 17340 tel(717) 359-7131 fax (717) 359-9289 www.hadco.com Copyright 2008 Philips

HADCO is a Philips group brand

**PHILIPS**

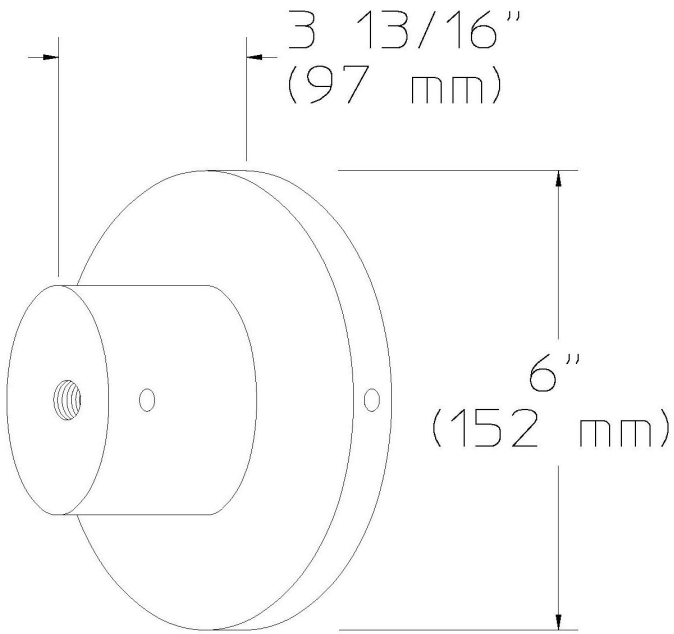
# Wall or Ceiling Canopy Mount (MW34) Specification Sheet

Project Name:	Location:	MFG: Hadco
Fixture Type:	Catalog No.:	Qty:

## Ordering Guide

Example: MW34 A

<b>Product Code</b>	MW34	Wall or Ceiling Canopy Mount
<b>Finish</b>	A H G B	Black Bronze Verde White



## Specifications

### Accessories:

Accessory can be used on the following products: WA3, WB3.