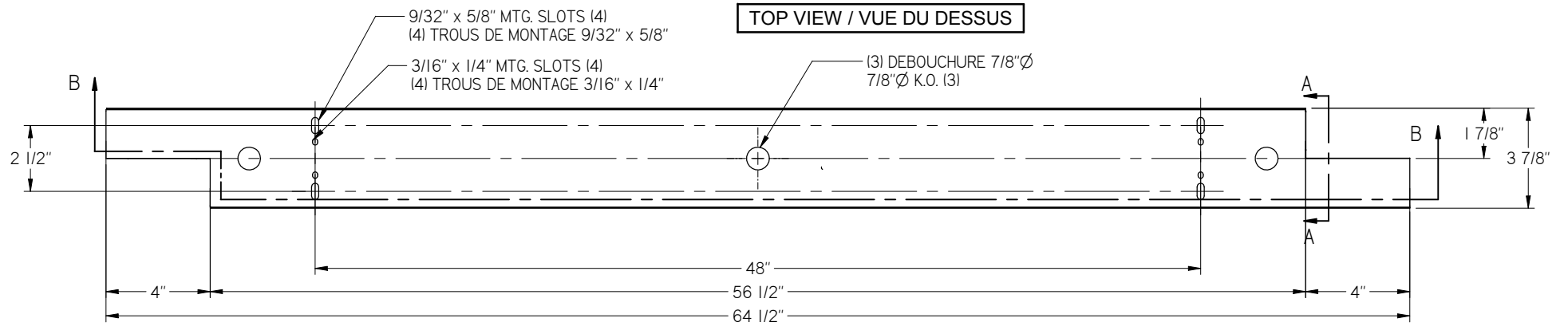


TOP VIEW / VUE DU DESSUS



15	
14	
13	
12	
11	
10	
9	SCREW ±
8	
7	
6	BALLAST
5	LAMPHOLDER
4	COVER
3	SOCKET BRACKET
2	END
1	HOUSING
VIS ±	
BALLAST	
DOUILLE	
COUVERCLE	
SUPPORT DE DOUILLE	
EMBOUIT	
BOITIER	

FINISH
BAKED WHITE ENAMEL OVER A PHOSPHATE BASE.
FINI
EMAIL BLANC CUIT SUR BASE PHOSPHATE.

SPECIFICATIONS:
C/A BALLAST T5 ÉLECTRONQUE
(CHOIX DE PEERLESS)

PROJET/PROJECT:	TYPE	DATE
SE SALLE DE SPECTACLE DOLBEAU-RAJOUT-	F9B	05/06/2008

	CIE PEERLESS ELECTRIQUE LTEE PEERLESS ELECTRIC CO. LTD. 9145 RUE BOVIN, LASALLE, QUE. H8R 2E5 161 BARTLEY DRIVE, TORONTO, ONT. M4A 1E6			DESCRIPTION
	WATTS	VOLTS	HZ	SURFACE MTD. FLUORESCENT FLUORESCENT MONTE EN SURFACE
2 x 21W	120	60	N.T.S.	CAT.NO.
DATE			13/02/2007	NSSL-6-221
DRAWING BY:			ECzesak	VARIANT
				REV.
				0