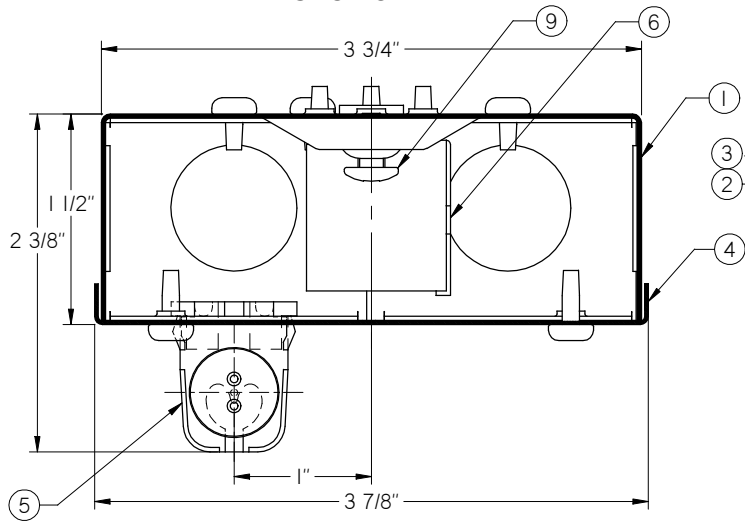
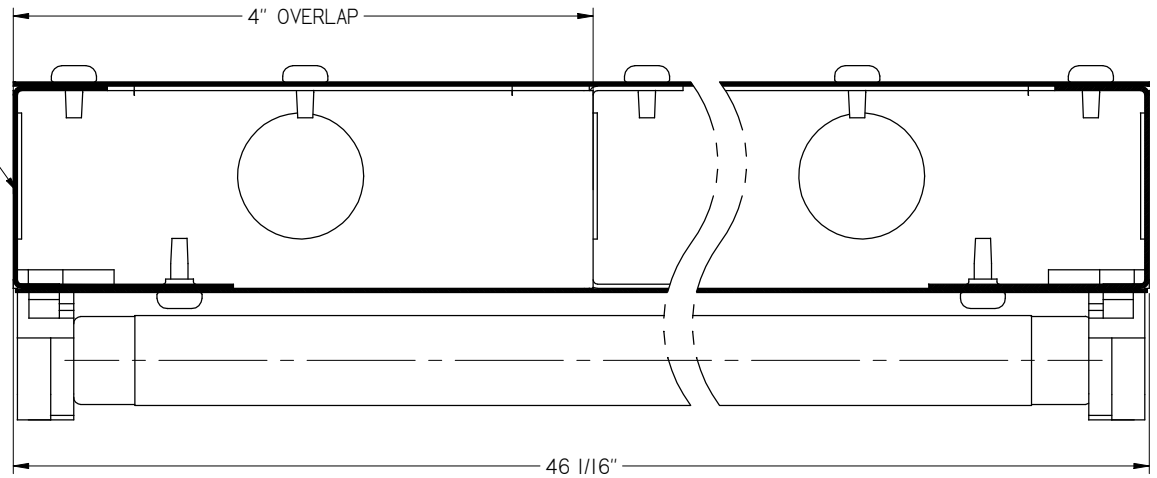


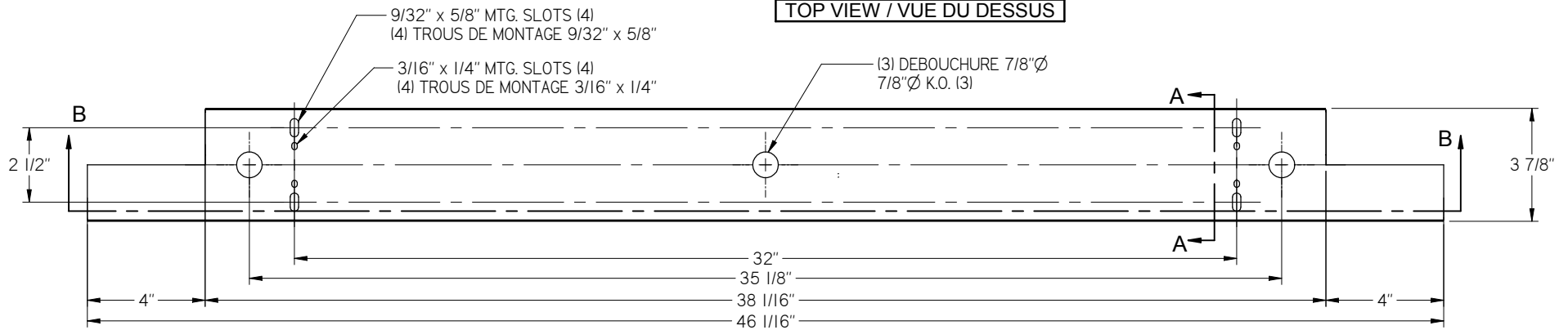
SECTION A-A



SECTION B-B



TOP VIEW / VUE DU DESSUS



15	
14	
13	
12	
11	
10	
9	SCREW ±
8	
7	
6	BALLAST
5	LAMPHOLDER
4	COVER
3	SOCKET BRACKET
2	END
1	HOUSING
BALLAST	
DOUILLE	
COUVERCLE	
SUPPORT DE DOUILLE	
EMBOUIT	
BOITIER	

FINISH:
BAKED WHITE ENAMEL OVER A PHOSPHATE BASE.
FINI:
EMAIL BLANC CUIT SUR BASE PHOSPHATE.

SPECIFICATIONS:
C/A BALLAST T5 ELECTRONIQUE (CHOIX DE PEERLESS)

PROJET/PROJECT:	TYPE	DATE
SE SALLE DE SPECTACLE DOLBEAU-RAJOUT-	F9C	05/06/2008

	CIE PEERLESS ELECTRIQUE LTEE PEERLESS ELECTRIC CO. LTD. 9145 RUE BOVIN, LASALLE, QUE. H8R 2E5 161 BARTLEY DRIVE, TORONTO, ONT. M4A 1E6			DESCRIPTION	
	WATTS 1 x 28W	VOLTS 120	HZ 60	ECHELLE SCALE N.T.S.	DATE 24/08/2006
				CAT.NO.	REV.
				NSSL-4-128	0
				VARIANT	
				Dessin par DRAWING BY: ZB.ZHANG	