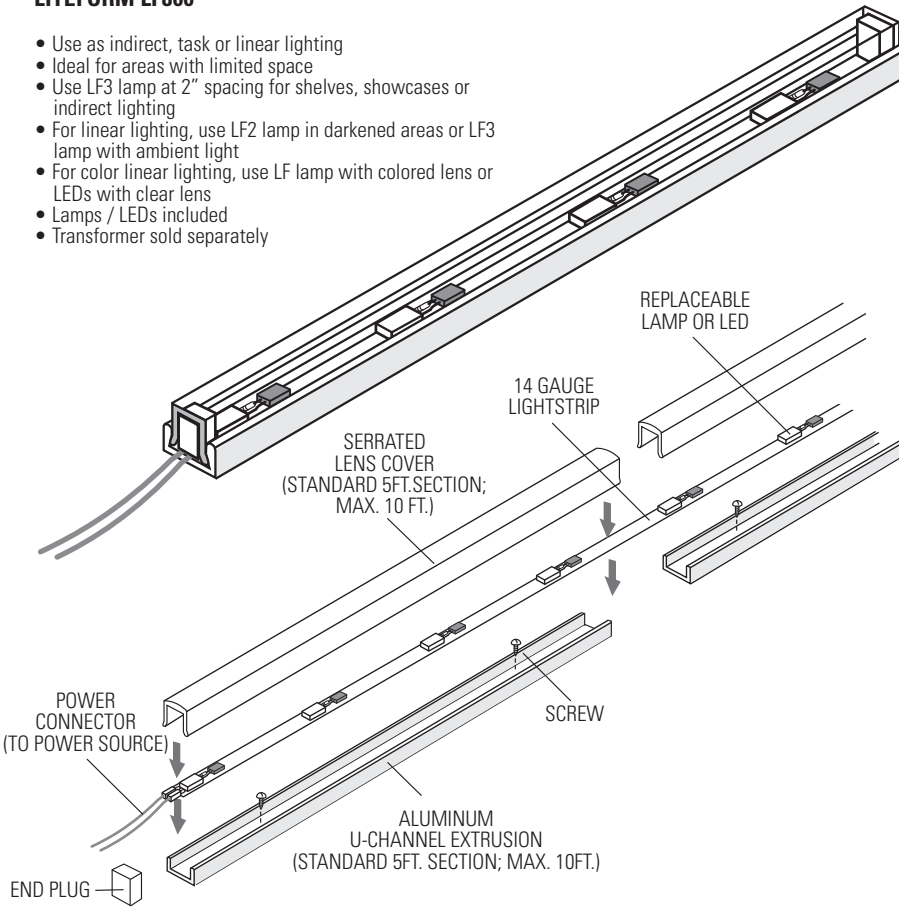


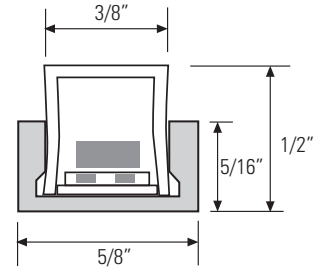


LITEFORM LF800

- Use as indirect, task or linear lighting
- Ideal for areas with limited space
- Use LF3 lamp at 2" spacing for shelves, showcases or indirect lighting
- For linear lighting, use LF2 lamp in darkened areas or LF3 lamp with ambient light
- For color linear lighting, use LF lamp with colored lens or LEDs with clear lens
- Lamps / LEDs included
- Transformer sold separately



END VIEW



QUICK REFERENCE INSTALLATION INSTRUCTIONS

1. Screw mount extrusion sections.
2. Unroll lightstrip and lay into channel.
3. Strip end of lightstrip to attach power connector.
4. Insert end plugs at ends.
5. Snap in lens cover.
6. Connect to power source.

Do not exceed maximum run length per circuit. Extrusion, lens cover and lightstrip are available in pre-cut sections or can be field cut. Refer to accessories page for power source and accessories.

MAX. RUN PER CIRCUIT (15 AMPS or less)

LAMP TYPE	LAMP SPACING			
	2"	3"	6"	12"
LF 1	78 FT.	117 FT.	200 FT.	200 FT.
LF 2	27 FT.	42 FT.	87 FT.	174 FT.
LF 3	15 FT.	21 FT.	45 FT.	93 FT.
LED	111 FT.	168 FT.	200 FT.	200 FT.

•DRAWING NOT TO SCALE•

SPECIFICATIONS

PRODUCT CODE & U-CHANNEL FINISH		LENS COLOR		LAMP		LAMP SPACING	
LF 800 A	NATURAL ALUMINUM	C	CLEAR	LF1	12V 0.34W INCANDESCENT LAMP (1 LUMEN; 80,000 HRS RATED LIFE)	2	2" ON CENTER
LF 800 B	ANODIZED BRONZE	A	AMBER	LF2	12V 0.92W INCANDESCENT LAMP (5 LUMENS; 80,000 HRS RATED LIFE)	3	3" ON CENTER
LF 800 C	POLISHED CHROME	B	BLUE	LF3	12V 1.72W INCANDESCENT LAMP (10.5 LUMENS; 20,000 HRS RATED LIFE)	6	6" ON CENTER
LF 800 G	POLISHED GOLD	G	GREEN	A	DC9.5V 0.2W AMBER LED (5 MCD; 100,000 HRS RATED LIFE)	12	12" ON CENTER
		R	RED	B	DC9.5V 0.2W BLUE LED (5 MCD; 25,000 HRS RATED LIFE)		OR SPECIFY OTHER SPACING
		S	SMOKE	G	DC9.5V 0.2W GREEN LED (5 MCD; 25,000 HRS RATED LIFE)		
				R	DC9.5V 0.2W RED LED (5 MCD; 100,000 HRS RATED LIFE)		
				W	DC9.5V 0.2W WHITE LED (5 MCD; 25,000 HRS RATED LIFE)		

EXAMPLE

LF 800 A	-	C	-	R	-	3
----------	---	---	---	---	---	---

FILL OUT BELOW FOR SUBMITTAL

	-		-		-	
--	---	--	---	--	---	--

PROJECT NAME	SPECIFIER
FIXTURE SCHED. TYPE	CONTRACTOR
QUANTITY	DISTRIBUTOR
LENGTHS	REPRESENTATIVE



visit us at :
www.celestiallighting.com
 e-mail :
info@celestiallighting.com

14009 Dinard Ave.
 Santa Fe Springs,
 CA 90670

PH (562)•802•8811
 (800)•233•3563
 FX (562)•802•2882