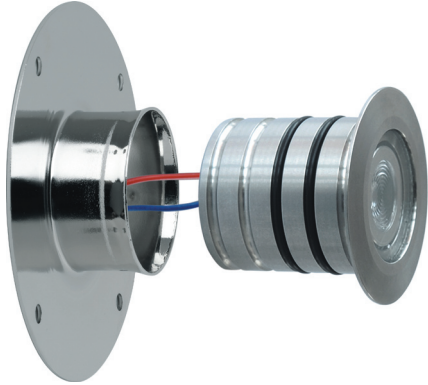


L02

SPEC SHEET



Application: Wall mounted directional or indicator light for stairs, ramps and aisle illumination.

Electrical: 1.2W LED powered by remote 120V or 277V primary 350mA driver (not included).

Input Current: 350mA
 Input Voltage: 4V DC
 Power Consumption: 1.2W
 Dimming: Dimmable drivers available (not included).
 Consult factory for details.

Weight: 0.35lbs (0.158kg)

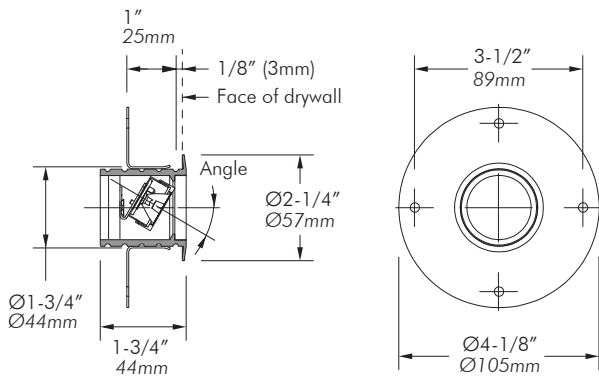
Material: Solid anodized aluminum or stainless steel with 1/4" (6mm) thick tempered glass lens.

Mounting: Comes with steel flange which mounts to pre-installed standard 4" (102mm) octagonal box, 1.5" (38mm) deep minimum and 1/4" (6mm) setback from face of drywall. Can be wall or ceiling mounted.

Approval: Dry locations. Approved to UL standards by CSA/US.



Shown with angle bracket



Type:
 Project:
 Modified:
 Quantity:
 Notes:

CODE	WATTAGE	COLOR	BEAM	LENS	ANGLE BRACKET	FINISH
L02	1					
	1 = 1.2W	W27S = 2700K, std CRI W30S = 3000K, std CRI W35S = 3500K, std CRI W41S = 4100K, std CRI W30H = 3000K, high CRI W41H = 4100K, high CRI AM = amber RD = red BL = blue GR = green	12 = 12° beam 30 = 30° beam	C = clear F = frosted	0 = no angle 30 = 30° angle 45 = 45° angle X = custom	MA = matte clear anodized BA = black anodized S3 = stainless steel 303 S6 = stainless steel 316

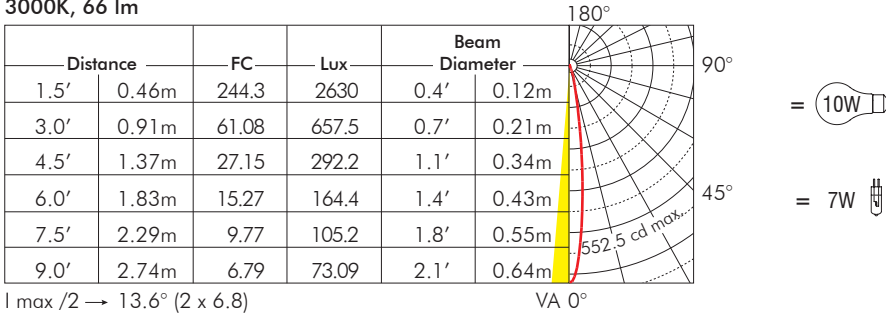
Note: A high CRI of 92 has about 25% less lumen output while a standard CRI of 75-82 has optimal lumen output.

L02

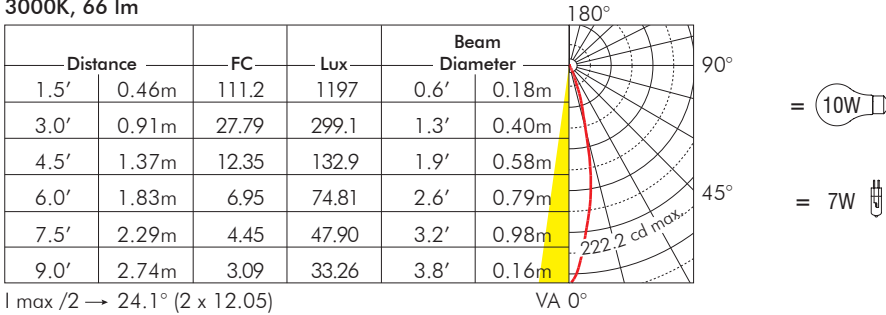
SPEC SHEET

Photometric Data

L02/12°
3000K, 66 lm



L02/30°
3000K, 66 lm



L02/30° beam
30° angle bracket
3000K, 66 lm

