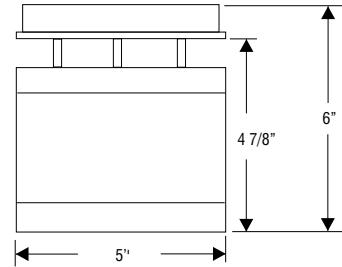
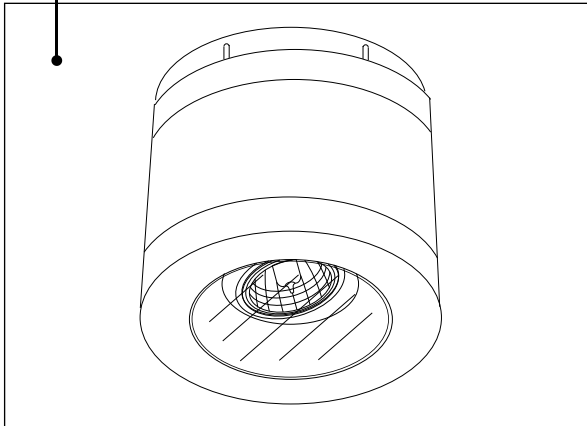


Wet-Max 3 Titanium- outdoor (MR16 - HALOGEN LAMPS)



SPECIFICATIONS

The WET-MAX 3 Titanium cylinder collection is made of extruded 6061 alloy aluminum, wet location listed architectural surface mounted cylinder, rated for 75 Watt MR16 Halogen Lamp. All hardware supplied is made of stainless steel.

The WET - MAX 3 is available with a clear tempered glass lens and is designed to add additional beam shaping lenses if required (call factory for specialty lenses). The WET - MAX 3 Titanium uses high quality electronic transformer.

Applications: Any surface mount outdoor applications.

Order Guide

TITANIUM SERIES	REFLECTOR TYPE ¹	VOLTAGE	FINISH	OPTIONS
WL- MAX 3 - Ceiling Mount	2-120-XX - Aurora Reflector	120 277	01- White 04 - Black 05 - Matte Silver 11 - Matte Nickel CC - Custom Finish	FC - Flat Canopy
XX = REFLECTOR FINISHES				
SA - Silver Specular ²				
GA - Gold Specular ²				
BA - Black Specular				
COPA - Copper Specular ²				
BLUA - Blue Specular ²				
GRNA - Green Specular ²				
PURA - Purple Specular ²				
CHA - Champagne Specular ²				
WHS - White stepped Baffle				
BLS - Black Stepped Baffle				
NIC-S - Nickel Satin				
MOCH - Brushed Mocha				



Note:

- 1) Use Aurora Trim specification sheets reference
- 2) These reflectors are available in Satin finishes. Add "S" at end of part number.

TYPE	Project Name
	Order Number

Data and specifications subject to change without notice